

[54] CAMOUFLAGED VEHICLE SUCH AS AN AIRCRAFT, SURFACE VESSEL OR THE LIKE

[76] Inventor: Carlisle K. Ferris, 50 Moraine Rd., Morris Plains, N.J. 07950

[21] Appl. No.: 642,358

[22] Filed: Aug. 20, 1984

[51] Int. Cl.<sup>4</sup> ..... F41H 3/00

[52] U.S. Cl. .... 89/36.01; 244/1 R; 428/919

[58] Field of Search ..... 89/36.01; 114/15; 244/1 R; 427/256, 274; 428/919

[56] References Cited

U.S. PATENT DOCUMENTS

715,013	12/1902	Brush et al. ....	114/15
1,296,753	3/1919	Brush .....	428/919
1,305,296	6/1919	Mackay .....	114/15
2,292,848	8/1942	Robson .....	89/36.01
4,212,440	7/1980	Ferris .....	244/1 R
4,302,068	11/1981	Tyroler .....	428/919

OTHER PUBLICATIONS

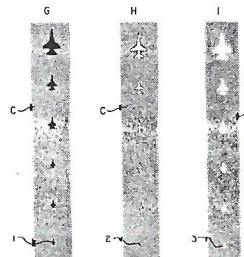
Dana Bell, Pri-Fly Presents A-10 Colors, Aug. 1978, pp. 6-7, 9-10.

Primary Examiner—Stephen C. Bentley  
Attorney, Agent, or Firm—Shlesinger, Arkwright, Garvey & Fado

[57] ABSTRACT

A camouflage and deceptive perception distorted vehicle such as an aircraft or surface vessel or the like for combat use at least a substantial portion of which will remain undetected until the vehicle subtends an arc of substantially five minutes when used against at least one predetermined light background reflectivity in which one of the surfaces of the vehicle includes a substantial area with a predetermined reflectance matching the predetermined light background reflectance. The area includes at least three defined portions at least two of which have different reflectances so that when the reflectance of one defined portion is added to the total reflectances of the others of the three defined portions, and the result averaged, they will have a reflectance substantially that of the predetermined light background.

19 Claims, 10 Drawing Figures



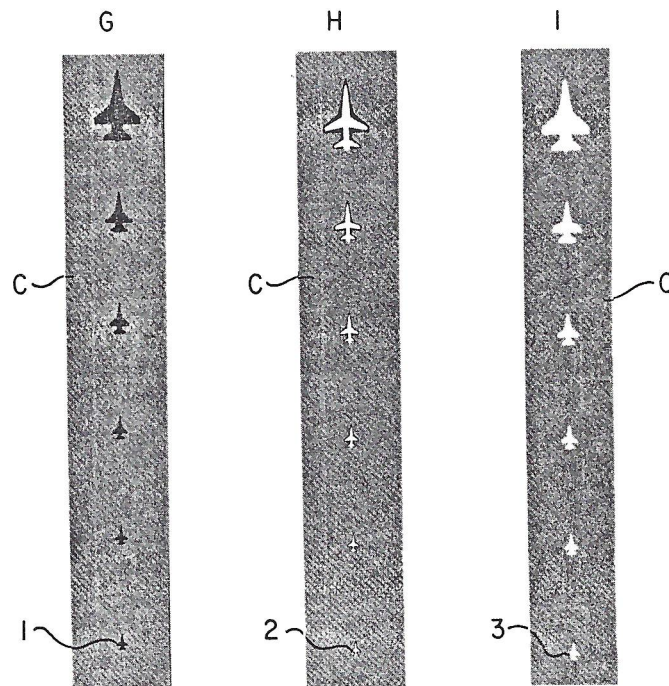
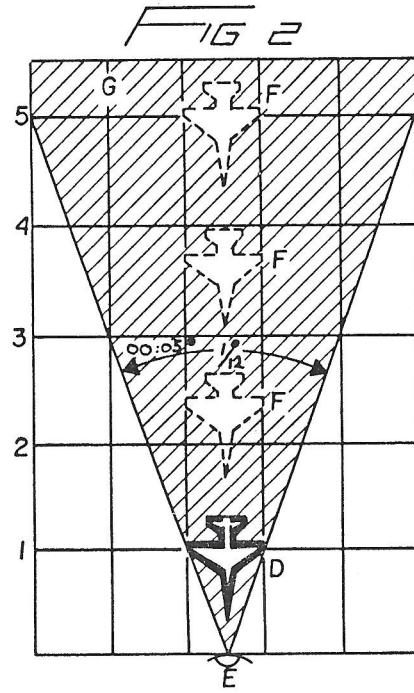
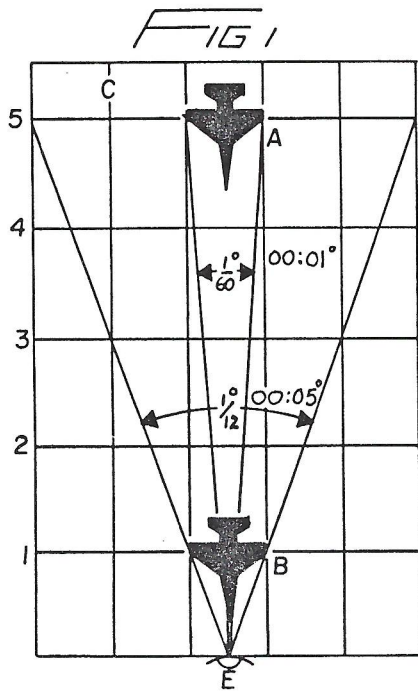


FIG. 3

FIG 4

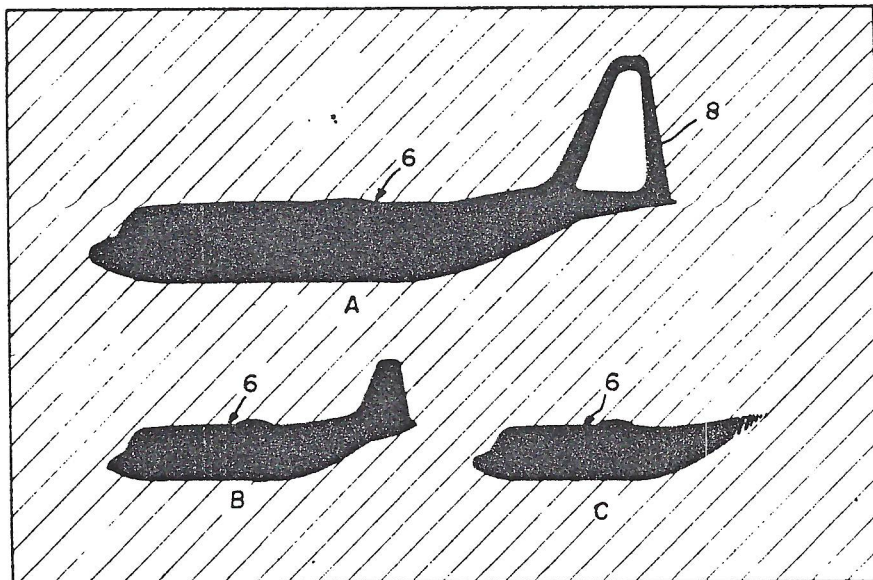
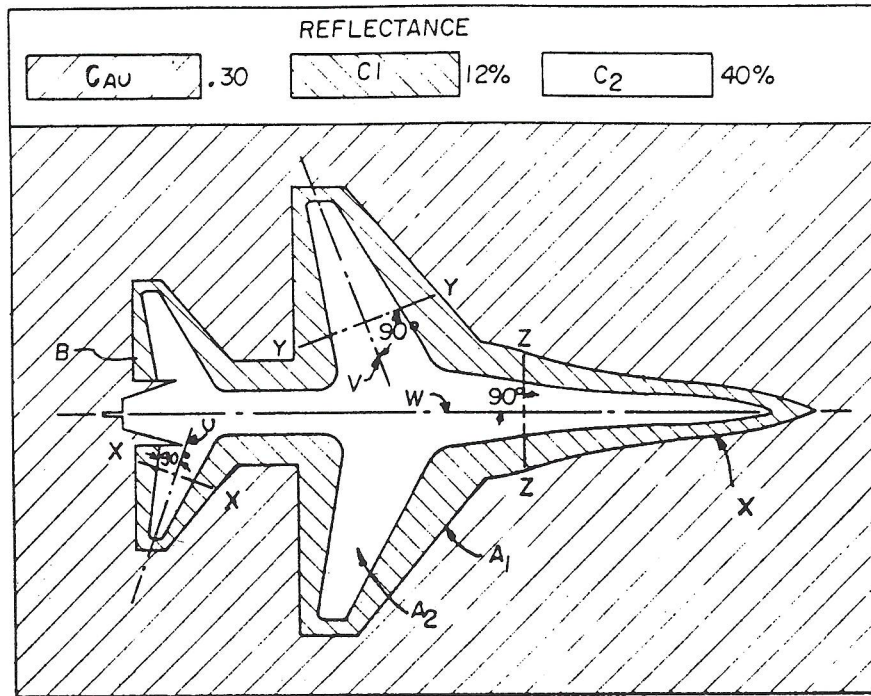


FIG 5

FIG 6

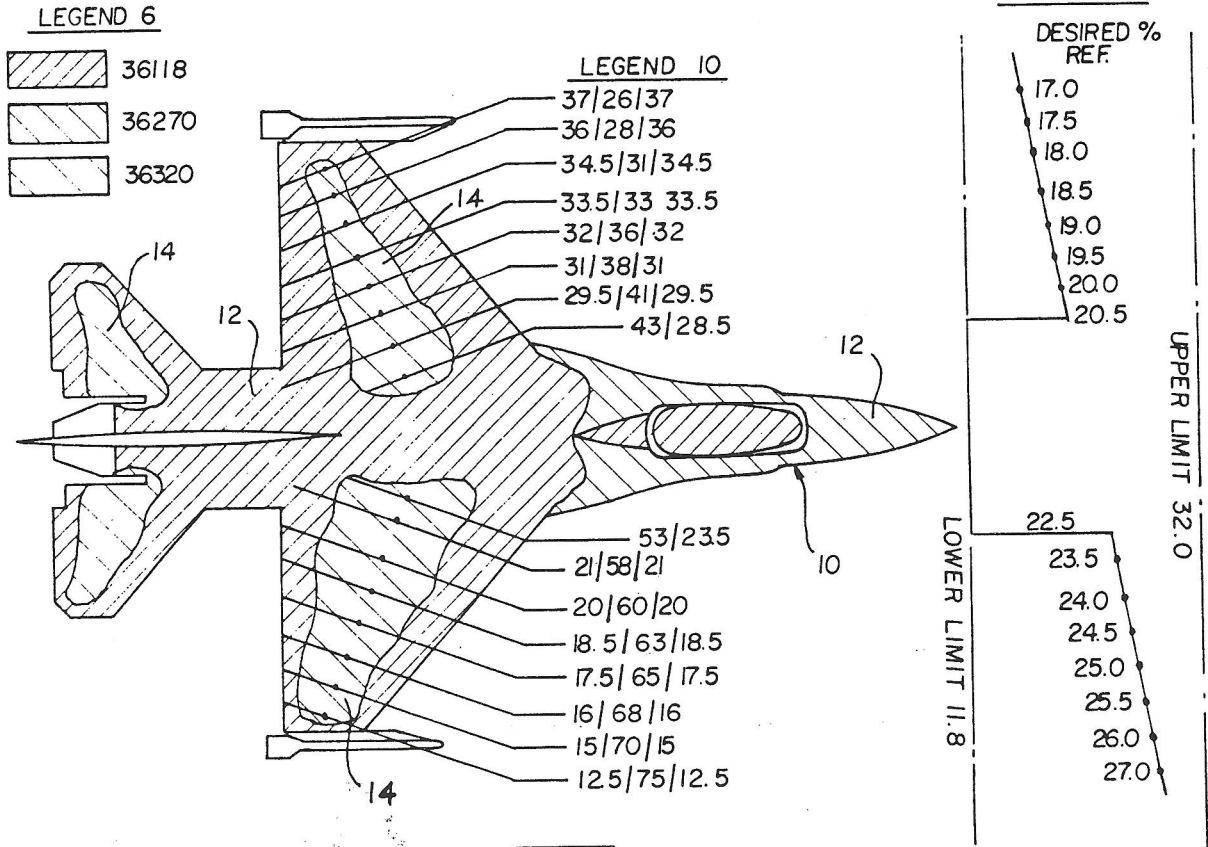


FIG 9

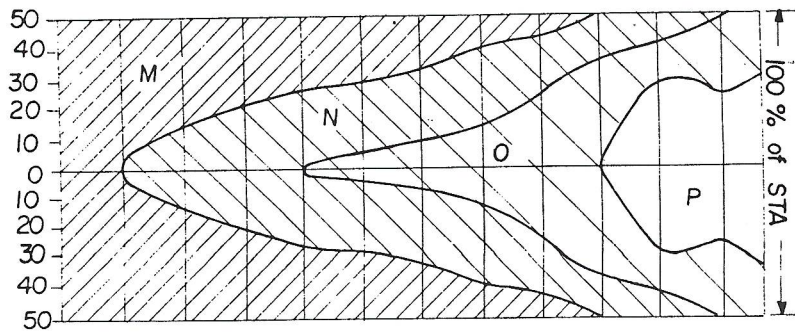
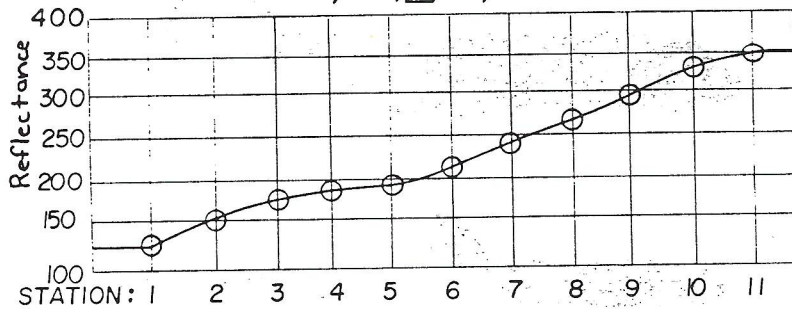


FIG 9A

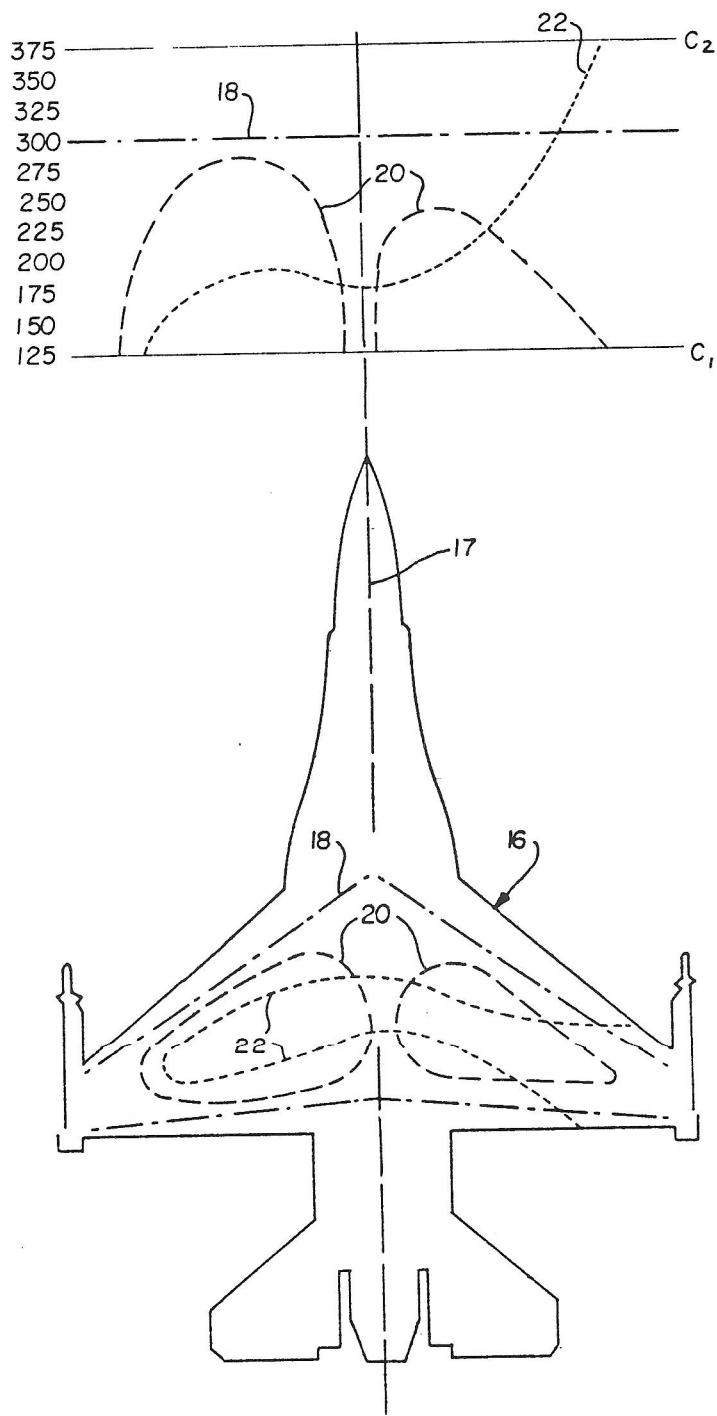


FIG 7

FIG 8

